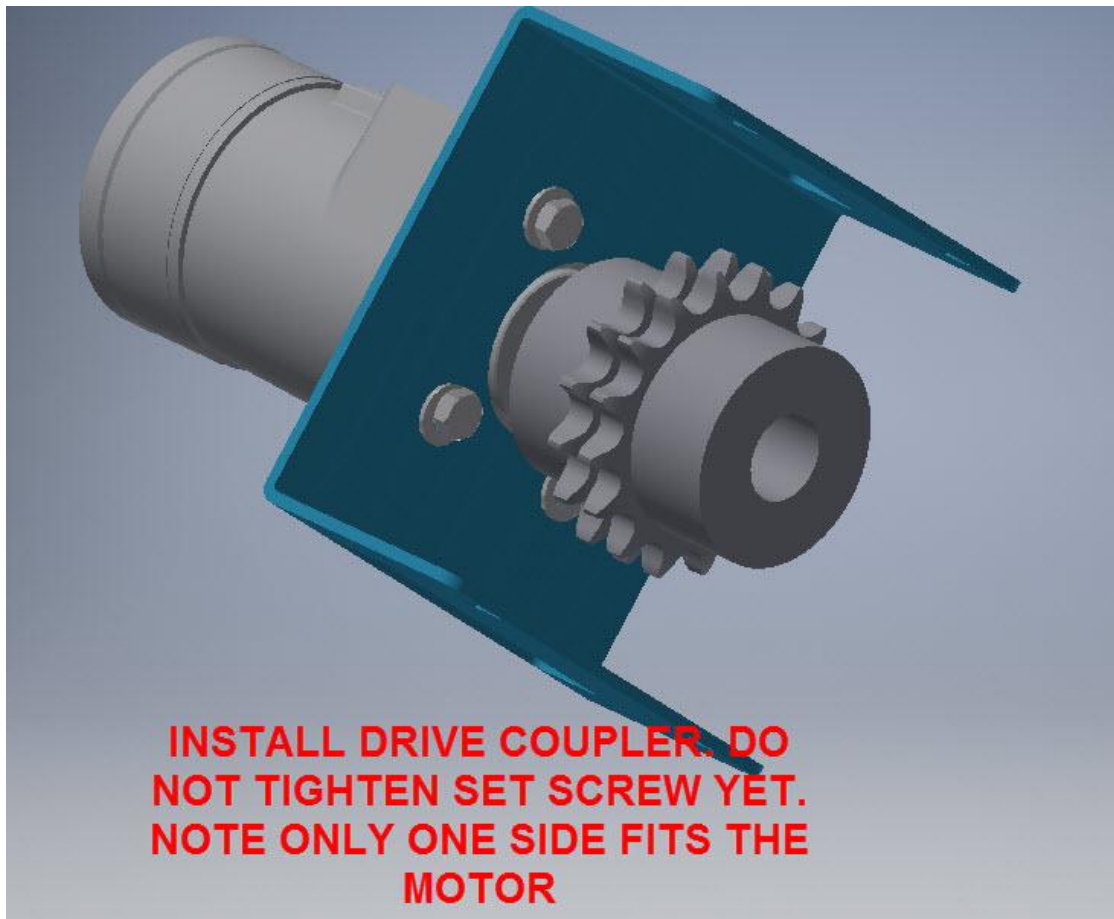


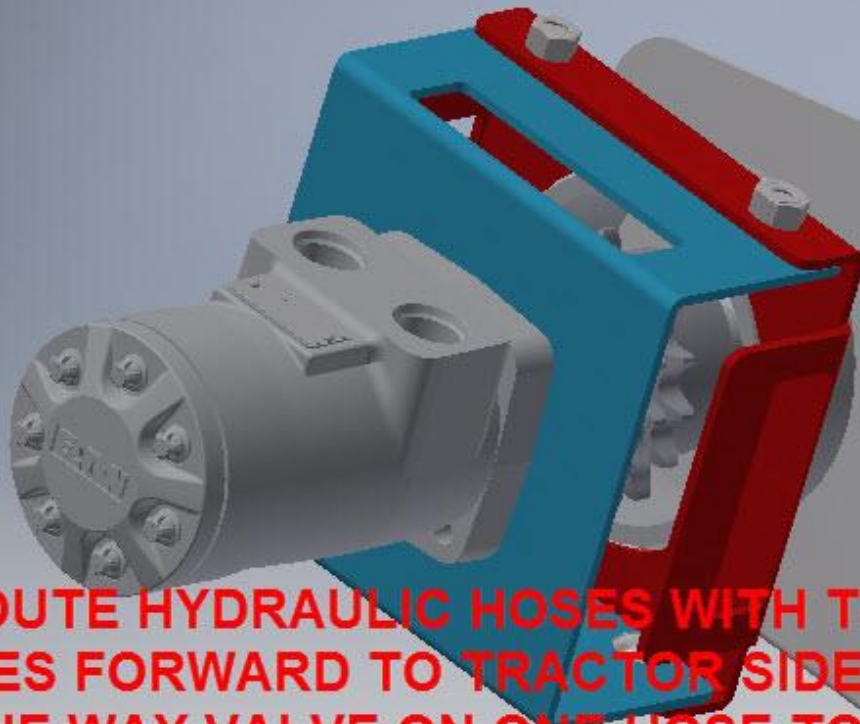
**LOOSELY INSTALL THE 4  
BOLTS THAT HOLD THE  
HYDRAULIC MOTOR TO THE  
OTHER MOUNTING PLATE**



**INSTALL DRIVE COUPLER. DO  
NOT TIGHTEN SET SCREW YET.  
NOTE ONLY ONE SIDE FITS THE  
MOTOR**

**SLIDE THE COUPLER ONTO THE ELEVATOR SHAFT  
AND THEN LOOSELY INSTALL THE 4 CARRIAGE  
BOLTS.**

**TIGHTEN THE TWO SET SCREWS IN THE COUPLER  
THEN TIGHTEN THE MOTOR MOUNTING BOLTS AND  
THEN THE CARRIAGE BOLTS**



**ROUTE HYDRAULIC HOSES WITH THE OTHER  
HOSES FORWARD TO TRACTOR SIDE. THERE IS A  
ONE WAY VALVE ON ONE HOSE TO PREVENT  
REVERSE DIRRECTION OF THE MOTOR**